



## CONTENTS

version : PM-A-14-ENG

Colour codes and abbreviations
Introduction
Technical sketches

### BASE AND ASSEMBLY PARTS

Upright 30x30 SS	page 1
Wall brackets	page 1
Connector bars	page 2
Tube insert 30x30	page 2
Support feet	page 2

### BRACKETS

Support bars	page 2
Belt presenting brackets	page 3
Hanging brackets	page 3
Shelf-bearing brackets	page 3
Front arms	page 4
Presentations for support bars	page 4-5

### HOW TO READ OUR ARTICLE NUMBERS

76.3305.00	complete number
76.3305.00	article group number
76.3305.00	article number
76.3305.00	colour and/or finish

### COLOUR CODE FOR STANDARD PRODUCTS

.00	Mild steel	Raw
.02	Mild steel	RAL 9006 TL
.05	Mild steel	Zinc-coated
.08	Mild steel	Black
.21	Stainless steel	Brushed
.31	Plastic	Black

Other colours are available on request; do not hesitate to contact us for further information.

<b>Abbreviations:</b>	SS	Single slotted
	DS	Double slotted
	axis	Centre to centre size between uprights

## PREFACE

Perfotube is a supplier of metal shop fitting systems to the shop fitting sector and produces slotted tubes in its own plant. Since the start of the company in 2002, our organization has grown to be an all-round supplier of presentation systems.

**PERFOMONO®**

In this catalogue we present an overview of our newly developed Perfomono products. The Perfomono system is perfectly fit for implementing presentation walls in shops. The 6 mm wide vertical openings with perforations are extremely small and therefore minimally visible.

Our Perfomono system includes a special bracket line-up collection. Perfomono's simplicity guarantees a luxurious, sleek, all-round and powerful system. The accessories are mostly one-piece products.

## OUR OTHER SYSTEMS:

**PERFOTUBE®**

The basic system with slotted tubes, profiles, gondola stands, assembly materials and brackets.

**PERFOPUG®**

Our complete monopoint system consisting of pucks of various sizes and corresponding stainless steel insert parts.

**PERFLINE®**

The so-called slat wall system with MDF slat panels and a full range of brackets makes this group a flexible system for the shop fitting industry.



We are able to develop and produce special designs on request. In our production department we can punch, couple, laser-cut plates or tubes, set, weld, bend, and more. Please do not hesitate to contact us if you need further information.

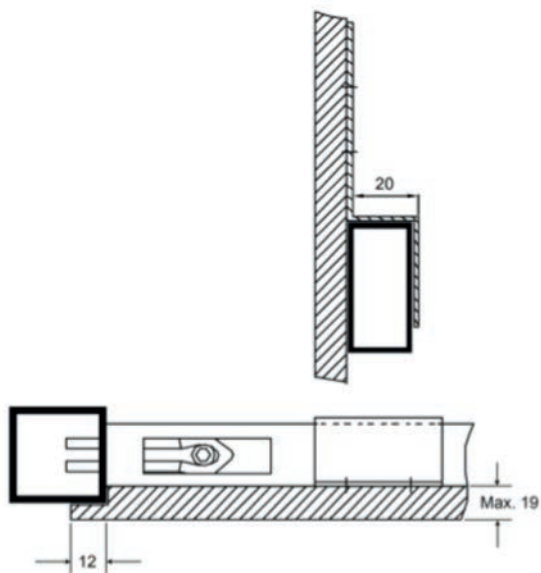
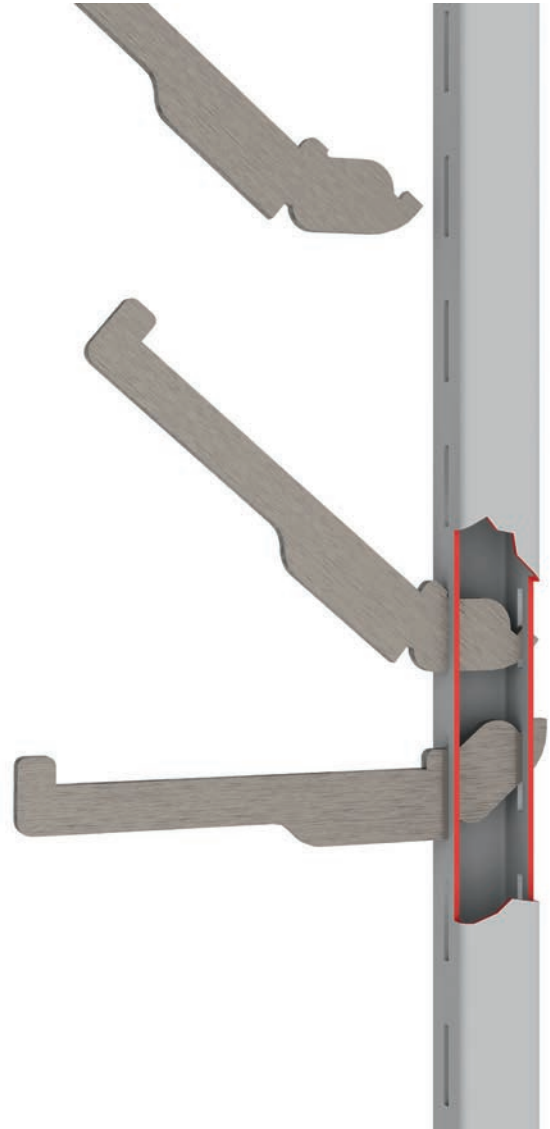
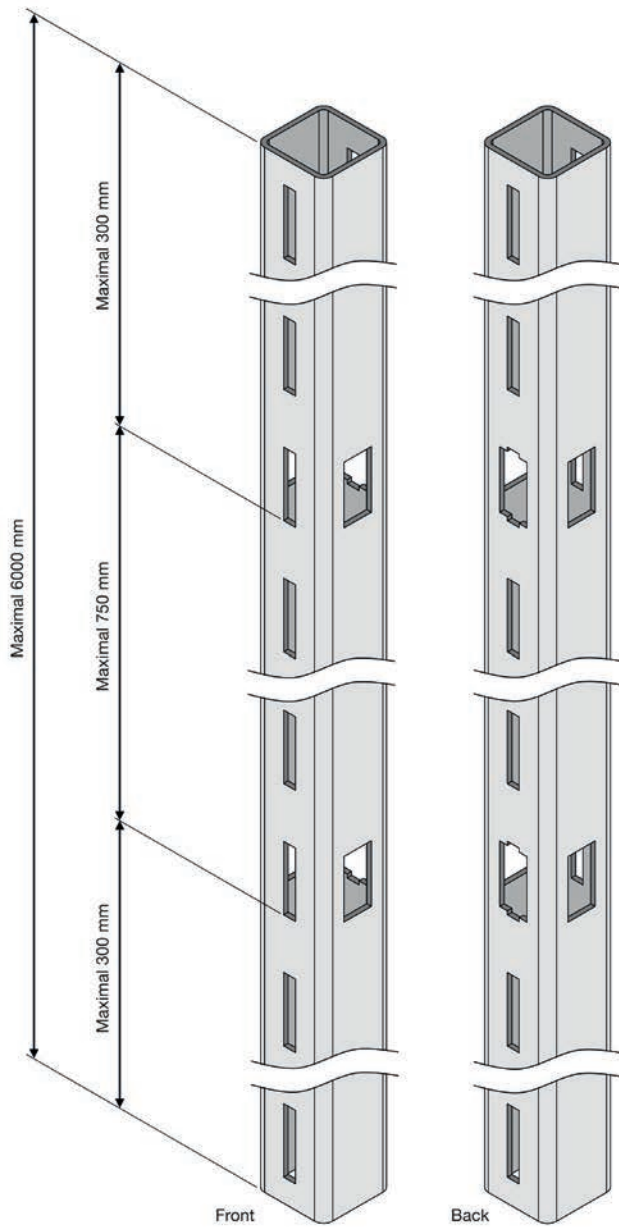
## ADVANTAGES:

- The bulk of our product supply range is in permanent stock.
- We keep our range of products updated and develop new concepts.
- Our advisors are well-trained and help you choose the right presentation system.
- We have facilities in the Far East at our disposal allowing us to guarantee a good price/quality ratio.
- Perfotube provides the customer with clear and organized documentation.
- Ability to produce special designs.

If you have any questions or remarks regarding this catalogue, the company, our employees or anything else, please do not hesitate to contact us.

Tel +31 (0)318-57 40 15  
Fax +31 (0)318-65 03 24  
Internet [www.perfotube.com](http://www.perfotube.com)  
Mail [info@perfotube.nl](mailto:info@perfotube.nl)

TECHNICAL SKETCHES



**PERF**  **MONO**®

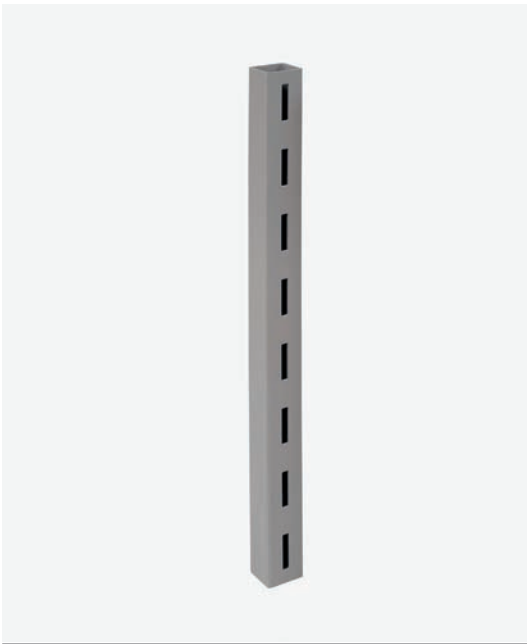


## BASE AND ASSEMBLY PARTS

Upright 30x30 SS	.....	page 1
Wall brackets	.....	page 1
Connector bars	.....	page 2
Tube insert 30x30	.....	page 2
Support feet	.....	page 2

## BRACKETS

Support bars	.....	page 2
Belt presenting brackets	.....	page 3
Hanging brackets	.....	page 3
Shelf-bearing brackets	.....	page 3
Front arms	.....	page 4
Presentations for support bars	.....	page 4-5



Product	<b>UPRIGHT 30/30</b>
Description	Square tube 30x30x2 mm single slotted, two-sided, pitch 50 mm. Slots for wall brackets on backside and slots for connector bars on side. Length, number of wall brackets and connector bars attached determine specific slotting of this square tube 30/30. Refer to technical sketches.
Material	Steel
	Length 1000-6000



Product	<b>WALL BRACKET</b>	
Description	Adjustable wall bracket. Attachable to upright using screw clamp.	
Material	RAW Steel	
	Depth	Article
	60-100	34.4001.00
	150-280	34.4002.00
	220-400	34.4003.00
Material	Ral 9006 steel	
	Depth	Article
	60-100	34.4001.02
	150-280	34.4002.02
	220-400	34.4003.02
Material	Black steel	
	Depth	Article
	60-100	34.4001.08
	150-280	34.4002.08
	220-400	34.4003.08



Product	<b>CONNECTOR BAR SCREW</b>	
Description	Connector bar 40x20 mm, to be used with upright 30x30. Attachable to tube by using screw clamp. Including two screw clamps. Other lengths available on request.	
Material	RAW Steel	
	System	Article
	axis 600	35.5001.00
Material	Ral 9006 steel	
	System	Article
	axis 600	35.5001.02
Material	Black steel	
	System	Article
	axis 600	35.5001.08



Product	<b>BACK PANEL Z-HOOK</b>	
Description	Z-shaped hook, to hook back panel over connector bar. Refer to technical sketches.	
Material	Zinc-coated steel	
	Depth 20	Article 35.6002.05



Product	<b>CLAMP TUBE INSERT 30/30</b>	
Description	Clamping tube insert with threaded M10 to attach support foot.	
Material	Zinc-coated steel	
	Sizes 30x30x1-3	Article 30.3321.05



Product	<b>SUPPORT FOOT Ø25</b>	
Description	Plastic support feet. Fit for tube insert.	
Material	Black plastic	
	Sizes Ø25 M10x50	Article 32.2501.31



Product	<b>SUPPORT BAR SS</b>	
Description	Support bar. Fit for use with single-slotted tubes. Other system sizes or version for double slotted tubes on request.	
Material	Brushed stainless steel	
	Depth 50	System axis 600
		Article 76.2103.21

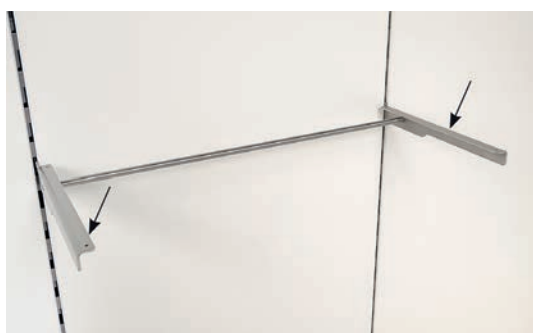




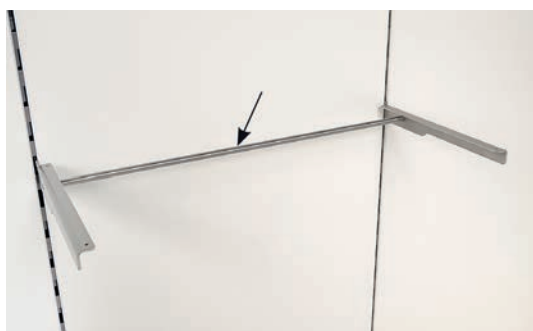
Product Description	<b>BELT PRESENTATION BRACKET SS</b> Support bar with pins for presenting belt or other accessories. Fit for use with single-slotted tubes. Two depth sizes. Other system sizes or version for double slotted tubes on request.		
Material	Brushed stainless steel		
	Depth	System	Article
	50	axis 600	76.2153.21
	150	axis 600	76.2163.21



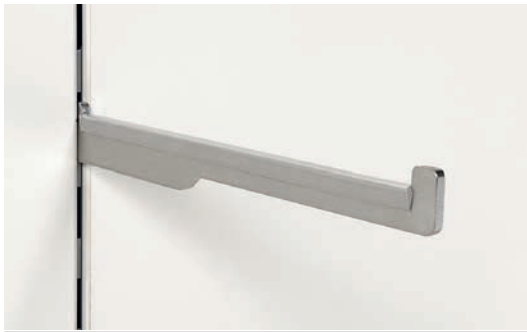
Product Description	<b>HANGING BRACKET SS</b> Mono-piece hanging bracket. Fit for use with single-slotted tubes. Other system sizes or version for double slotted tubes on request.		
Material	Brushed stainless steel		
	Depth	System	Article
	358	axis 600	76.3103.21



Product Description	<b>SHELF-BEARING BRACKET</b> Luxury converted bracket. Sold in pairs. Fit for single- and double slotted tubes. Use with glass shelf, connection tube Ø10 mm and protective support for glass (43.1002.30).		
Material	Brushed stainless steel		
	Length		Article
	190		76.4119.21
	240		76.4124.21
	290		76.4129.21
	340		76.4134.21
	390		76.4139.21



Product Description	<b>CONNECTION TUBE Ø10</b> Use in combination with shelf-bearing bracket and glass shelf. Other system sizes or version for double slotted tubes on request.		
Material	Brushed stainless steel.		
	Length	System	Article
	598	axis 600	75VR10.598



Product	<b>FRONT ARM</b>	
Description	Straight front arm for clothes hangers. Use with single- or double slotted tubes.	
Material	Brushed stainless steel	
	Length	Article
	150	76.5015.21
	250	76.5025.21
	350	76.5035.21



Product	<b>8-PIN SLOPING ARM</b>	
Description	Sloping front arm for clothes hangers. Fit for single- or double slotted tubes.	
Material	Brushed stainless steel	
	Length	Article
	320	76.5132.21



Product	<b>STEPPED ARM</b>		
Description	Stepped front arm for clothes hangers. Fit for use with single- and double slotted tubes.		
Material	Brushed stainless steel		
	Height	Length	Article
	138	350	76.5135.21



Product	<b>FRONT ARM RR</b>	
Description	Straight front arm for clothes hangers. To be used with Performono support bar.	
Material	Brushed stainless steel	
	Length	Article
	150	76.6015.21
	250	76.6025.21
	350	76.6035.21



Product	<b>8-PIN SLOPING ARM RR</b>		
Description	Sloping front arm for clothes hangers. To be used with Perfomono support bar.		
Material	Brushed stainless steel		
	Length		Article
	320		76.6132.21



Product	<b>STEPPED ARM RR</b>		
Description	Stepped front arm for clothes hangers. To be used with Perfomono support bar.		
Material	Brushed stainless steel		
	Height	Length	Article
	138	350	76.6135.21



Product	<b>BAG PRESENTATION FRONT ARM RR</b>		
Description	Sloping front arm for bags. To be used with Perfomono support bar.		
Material	Brushed stainless steel		
	Length		Article
	390		76.6139.21

Perfotube b.v.  
P.O. Box 115  
NL-3925 ZJ Scherpenzeel  
Visit address: Hooge Hoek 13a  
NL-3927 GG Renswoude  
The Netherlands  
+31 (0) 318 574 015  
+31 (0) 318 650 324  
info@perfotube.nl

[www.perfotube.com](http://www.perfotube.com)